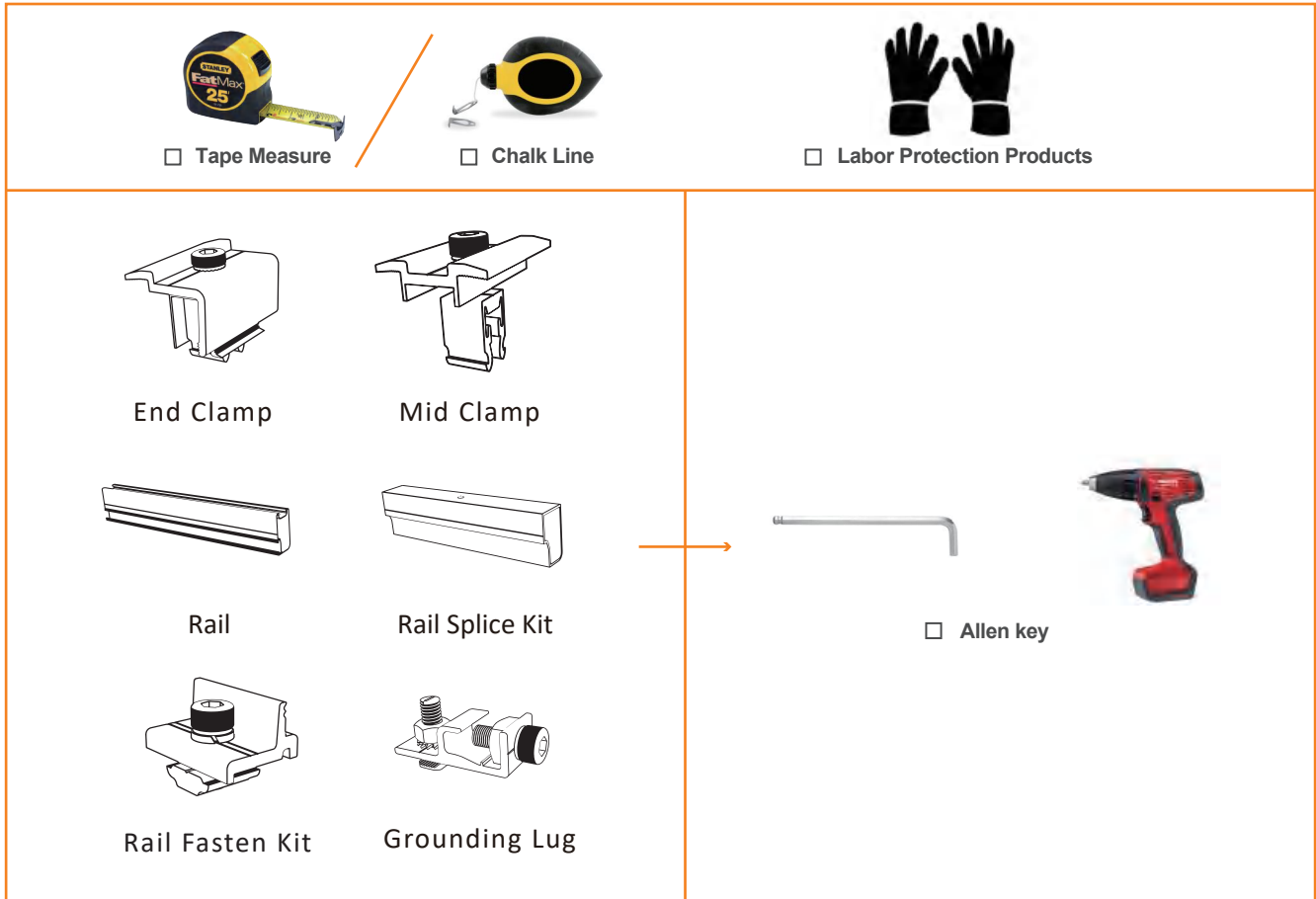


Model NO.: KIT TRIANGULO1530V3  
**Alu Triangular Roof Mount  
Installation Manual**

Version No.: CHIKO-20260228

## II. Installation Tools

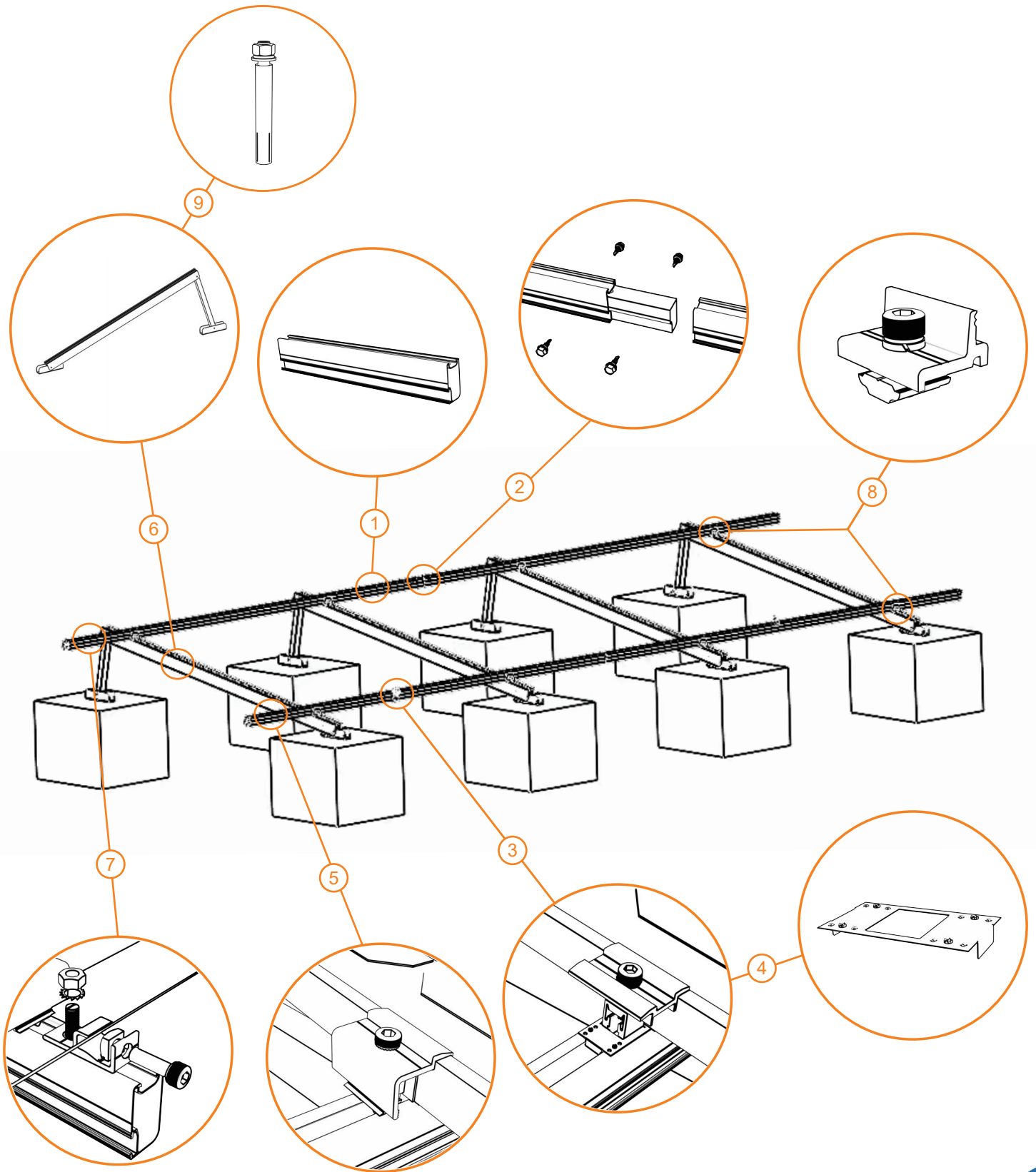



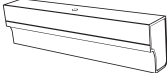
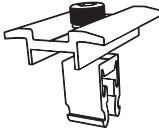
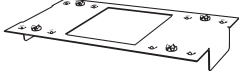
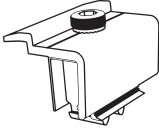

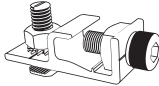
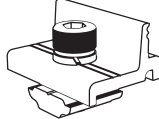

## I. Installation Rule

Installation of the framing shall conform to relevant local government standards, manufacturer's specifications and good building practice. The roof to which the panels are to be installed shall conform to the relevant local government standards.

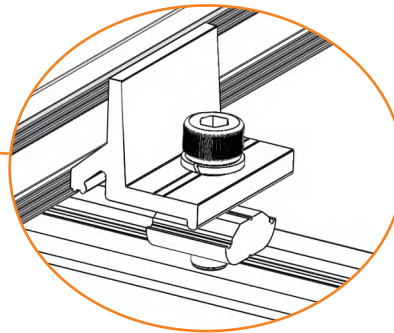
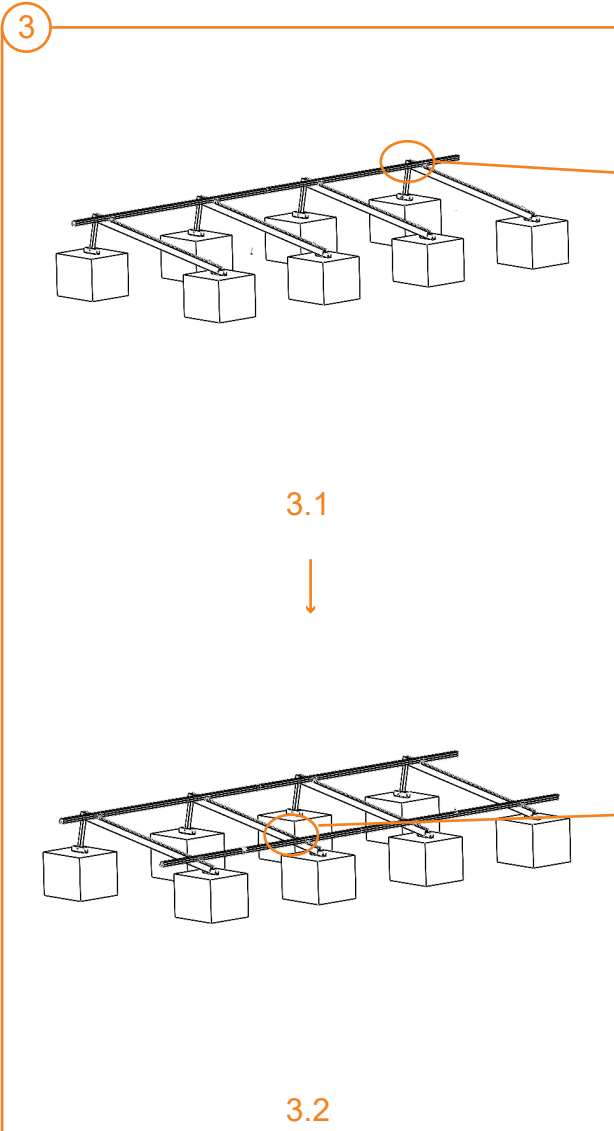
- Follow the risk management process prior to commencing work – that is, identify all the hazards, assess their risks and eliminate or control them.
- Consult with those involved in the work.
- Develop safe work procedures for installing solar panels, using information from the risk management process, which would include reviewing the following information:
  - Provide appropriate information and training to anyone involved in performing the work.
  - Provide appropriate tools and personal protective equipment (PPE).
  - Ensure that a system is in place to prevent or arrest falls.
  - Ensure there are adequate first aid facilities.
  - Ensure all employees are aware of the emergency procedures.

## III. Components



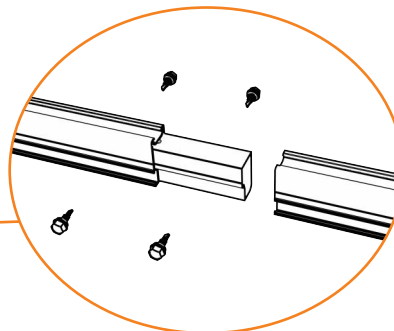
Item	Item NO.	Description	Picture	Quantity
				4panels/Kit
1	CK-FT-R1034B1-2400	CHIKO standard #1034 Rail 2400mm		4
2	CK-1074-1-150	CHIKO Solar Standard R1034 Rail Splice Kit		4
3	CK-155R1031-(28-35)-50	CHIKO Solar Adjustable Mid Clamp Kit 28-35mm		6
4	CK-IS-150	CHIKO Grounding clip		6
5	CK-140R1031-(28-40)-50	CHIKO Solar Adjustable End Clamp Kit 28-35mm		4
6	CK-ATT-BL-1530-960-1870	CHIKO Aluminium new triangle support structure 15-30deg		4
7	CK-592R1031-1-20	CHIKO Grounding Lug		2
8	CK-086R554-1-40	CHIKO Aluminium triangle support structure & Rail fixed kits		8
9	CK-JEB-0880	CHIKO Expand bolt M8*80mm for support structure		16





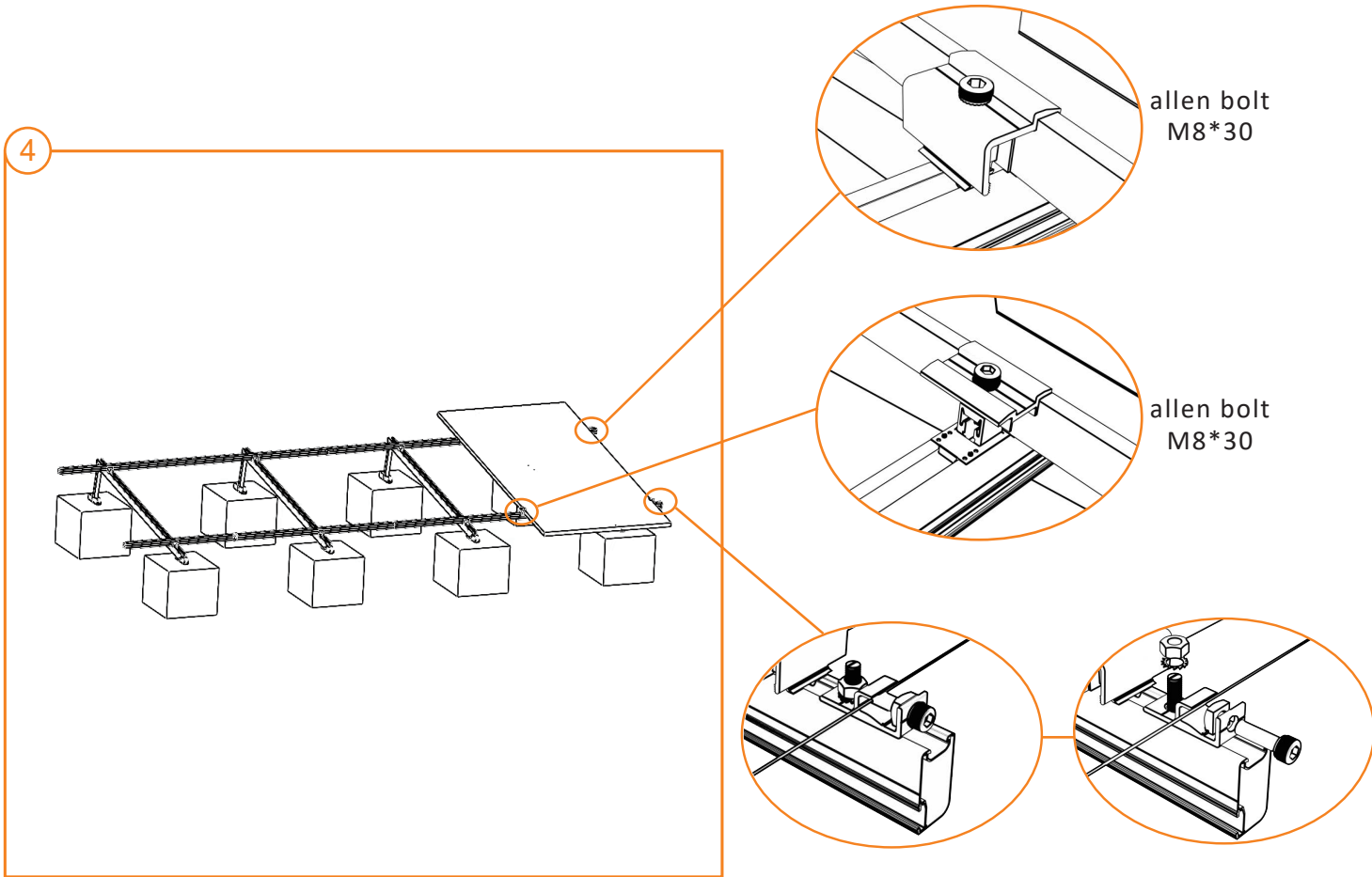
hex bolt  
M8\*25

Connect rail to the beams by 2\*clamps# 086 with hex bolts M8\*25 (1 flat washer, 1 spring washer, and 1 nut);  
*M8: tighten torque is 15N.m; safe torque is 20N.m;*



self-tapping screw  
M4.2\*16

use rail splice kit to connect 2 rails by self-tapping screws M4.2\*16.  
*M8: tighten torque is 15N.m; safe torque is 20N.m;*

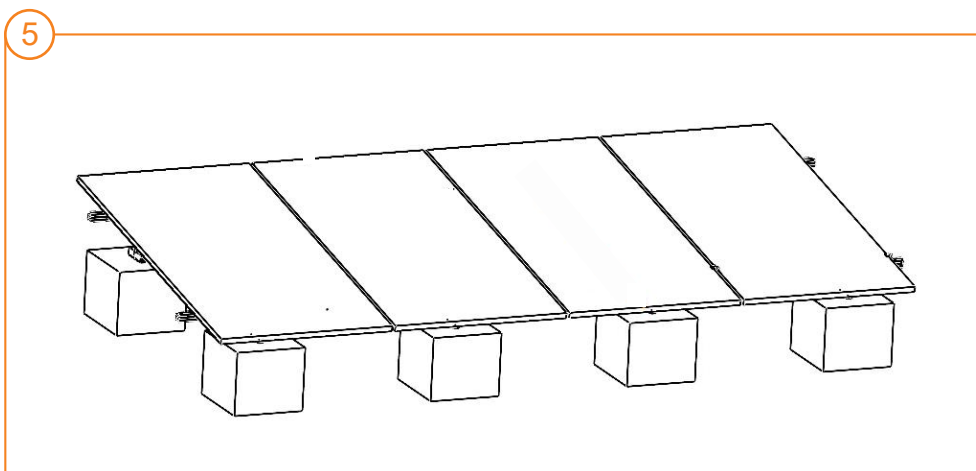


Install panels onto rails by fastening mid and end clamps and install a grounding lug on to each rail.

Note: End clamps by inner hex bolts M8\*30

Mid clamps by inner hex bolts M8\*30

M8: tighten torque is 15N.m; safe torque is 20N.m;



Double-check to make sure all bolts are fastened tight after installing all the panels.

# WORLD LEADING

---

## MANUFACTURE



**CHIKO**  
Solar Mounting Solutions

Shanghai CHIKO Solar Technology Co., Ltd.

Add: No.680 Xingwen Road, Jiading District, Shanghai 201815 China

Tel: +86-21-59972267 / 59973712 / 59973713

Fax: +86-21-59972938

Email: sales@chikolar.com

www.chikosolar.com / www.chikolar.com